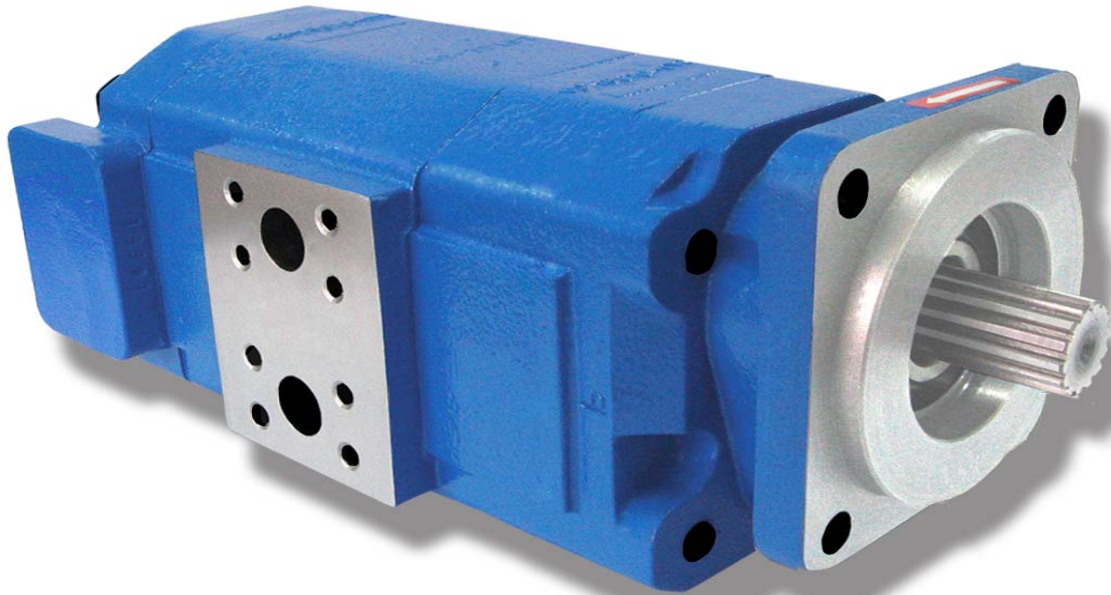


PERMCO

P360

360 SERIES PUMPS

LARGE DISPLACEMENT SLEEVE BUSHING PUMPS



*P360 SERIES TANDEM,
SINGLE INLET/DUAL OUTLET*

360 SERIES FEATURES

- ❑ Heavy duty sleeve bushing design in a large frame size
- ❑ Cubic inch displacements from 1.80 through 9.00
- ❑ Working pressure up to 3500 PSI
- ❑ Speeds up to 2400 RPM
- ❑ Flows up to 90 GPM
- ❑ Doweled and high strength cast iron construction
- ❑ 100% factory tested
- ❑ High strength alloy steel gear and shaft sets
- ❑ A wide range of porting, mounting, and shaft options available
- ❑ Pressure balanced wear plates maintain high pump efficiency throughout all operating ranges
- ❑ Both single inlet/single outlet and single inlet/dual outlet bearing carriers available

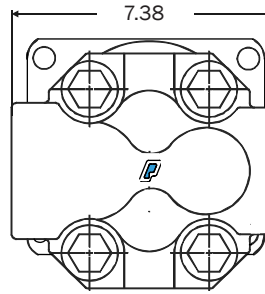
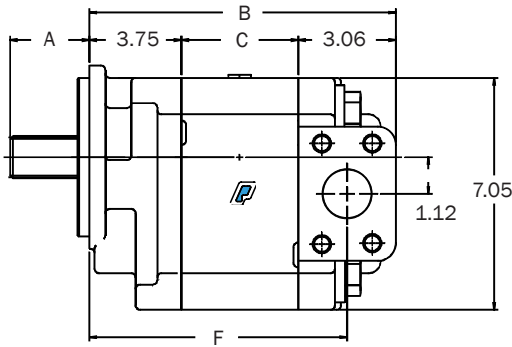


P360 SERIES SINGLE

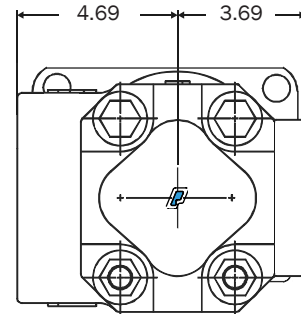
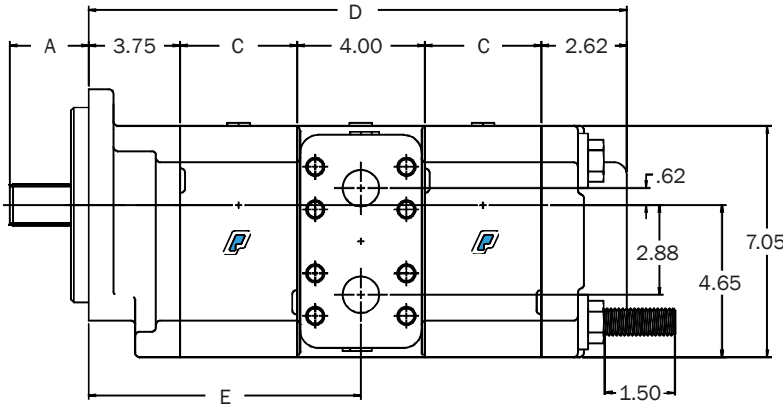


The Sensible Choice

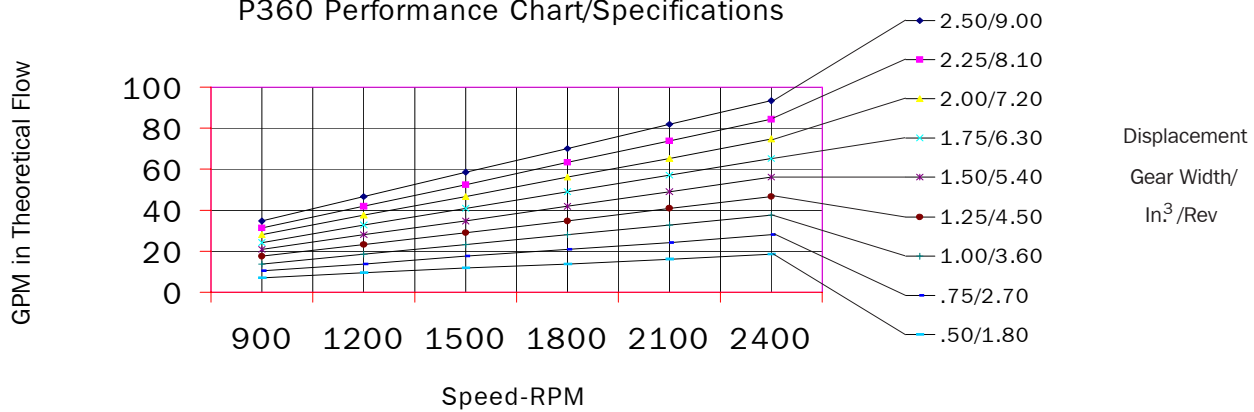
Dimensional Data (inches)



- A. 2.19" SAE "C" shaft shown, other shafts available
- B. 7.31" plus gear width
- C. 0.50" plus gear width
- D. 11.38" plus total gear width
- E. 6.25" plus front gear width
- F. 5.79" plus gear width



P360 Performance Chart/Specifications



| GEAR WIDTH (IN) | DISPL CU IN/CC | MAX RPM | MIN RPM | MAX PSI/BAR |
|-----------------|----------------|---------|---------|-------------|
| 0.50 | 1.80/30 | 2400 | 600 | 3500/241 |
| 0.75 | 2.70/44 | 2400 | 600 | 3500/241 |
| 1.00 | 3.60/59 | 2400 | 600 | 3500/241 |
| 1.25 | 4.50/74 | 2400 | 600 | 3500/241 |
| 1.50 | 5.40/89 | 2400 | 600 | 3500/241 |
| 1.75 | 6.30/103 | 2400 | 600 | 3500/241 |
| 2.00 | 7.20/118 | 2400 | 600 | 3500/241 |
| 2.25 | 8.10/133 | 2400 | 600 | 3250/224 |
| 2.50 | 9.00/148 | 2400 | 600 | 3000/207 |