

PERMCO

P197

197 SERIES PUMPS AND MOTORS

MEDIUM/SMALL DISPLACEMENT SLEEVE BUSHING PUMPS AND MOTORS



**P197 SERIES TANDEM
DUAL INLET/OUTLET**

197 SERIES FEATURES

- ❑ Heavy duty sleeve bushing design in a medium/small frame size
- ❑ Cubic inch displacements from .99 through 3.94
- ❑ Working pressure up to 4000 PSI
- ❑ Speeds up to 2400 RPM
- ❑ Flows up to 40 GPM
- ❑ Doweled and high strength cast iron construction
- ❑ 100% factory tested
- ❑ High strength alloy steel gear and shaft sets
- ❑ A wide range of porting, mounting, and shaft options available
- ❑ Pressure balanced wear plates maintain high pump efficiency throughout all operating ranges
- ❑ Both single inlet/single outlet and single inlet/dual outlet bearing carriers available

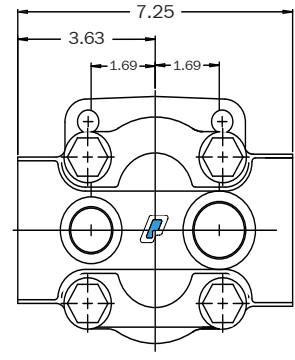
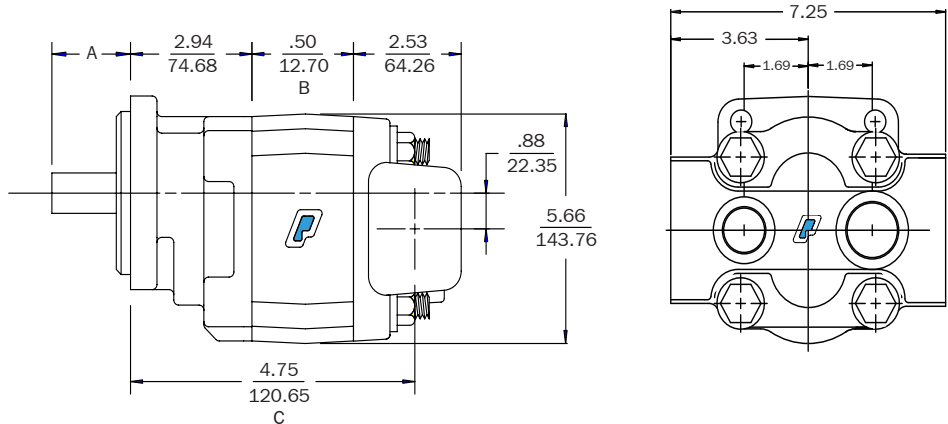


P197 SERIES SINGLE

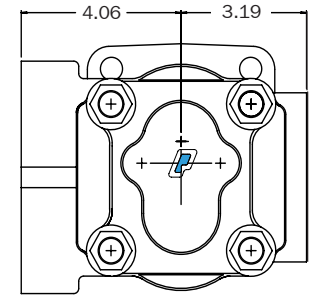
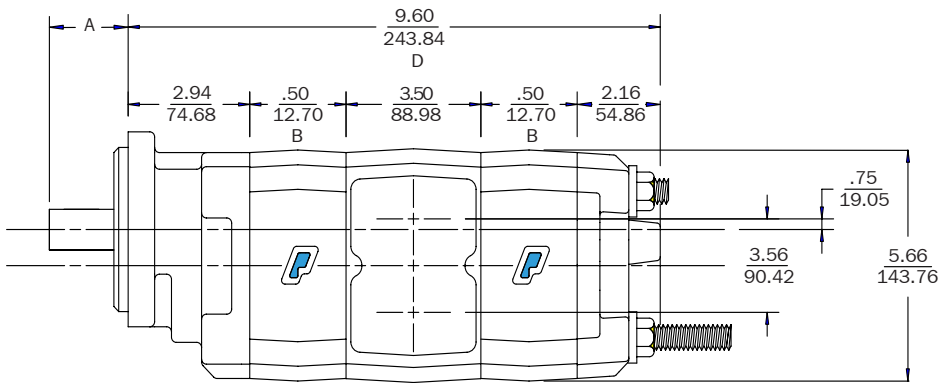


The Sensible Choice

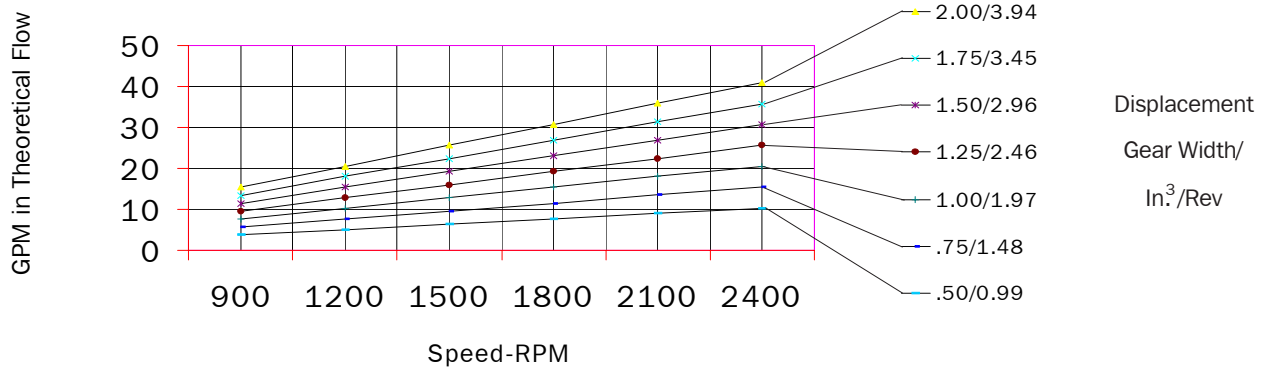
Dimensional Data (inches)



- A. See bushing series catalog for lengths and dimensions
- B. 0.50" plus gear width
- C. 4.75" plus gear width
- D. 9.60" plus total gear width



P197 Performance Chart/Specifications



GEAR WIDTH (IN)	DISPL CU IN/CC	MAX RPM	MIN RPM	MAX PSI/BAR
0.50	0.99/16	2400	600	**
0.75	1.48/24	2400	600	**
1.00	1.97/32	2400	600	4000/276
1.25	2.46/40	2400	600	4000/276
1.50	2.96/48	2400	600	3750/259
1.75	3.45/57	2400	600	3500/250
2.00	3.94/65	2400	600	3250/224

** Consult Factory

Permco
1500 Frost Rd.
P. O. Box 2068
Streetsboro, OH 44241

Phone 330-626-2801
Fax 330-626-2805
e-mail info@permco.com
www.permco.com

Permco Hydraulik AG
P. O. Box 553
6343 Rotkreuz
Switzerland
e-mail heinzm@permco.com

Permco (TianJin) Hydraulics Inc., Ltd.
236 Jinbindadao Free Trade Zone
TianJin Port, China
e-mail technic@permcotj.com
www.permcotj.com